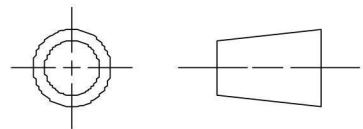
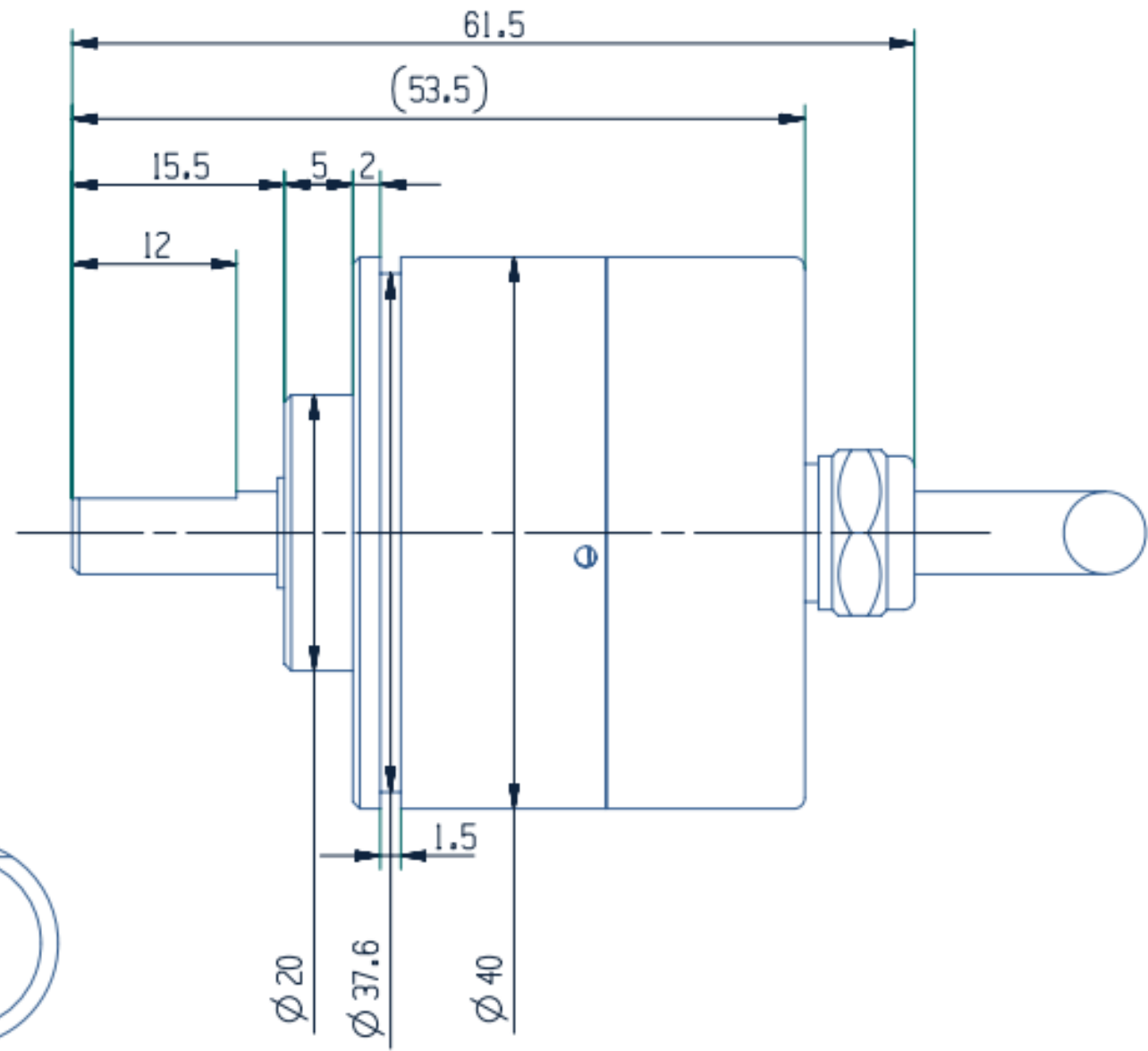


D字型轴尺寸
比例5:1



ALL DIMENSIONS IN MM

		THIS DRAWING HAS BEEN PRODUCED USING AN EXAMPLE TEMPLATE PROVIDED BY SIEMENS PLM SOFTWARE	
FIRST ISSUED		TITLE	
DRAWN BY		编码器IP68-BRT38-6mm轴	
CHECKED BY		SIZE	DRG NO.
APPROVED BY		A3	IP68-BRT38-6mm
		SCALE 1:1	SHEET REV
			A
			SHEET 1 OF 1