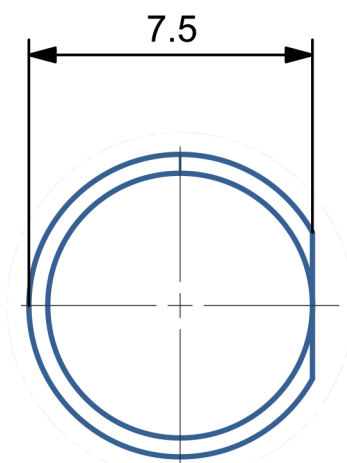
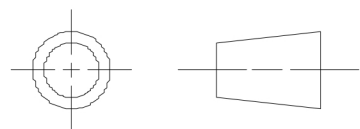
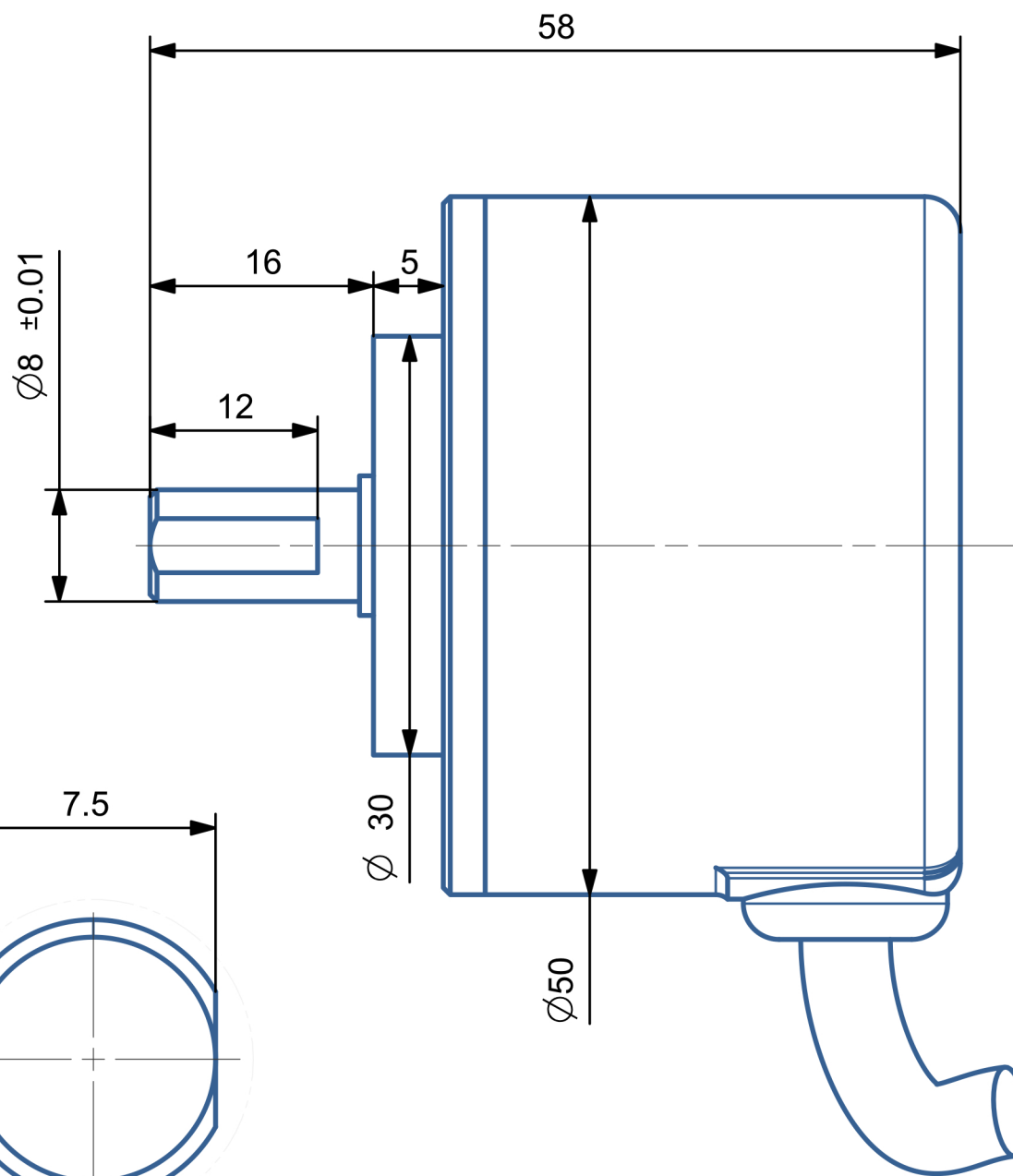


线出口方向与 3 个 M3  
安装孔的角度关系是随机的



D 字型轴尺寸  
比例 5 : 1



ALL DIMENSIONS IN MM



THIS DRAWING HAS BEEN PRODUCED USING AN EXAMPLE  
TEMPLATE PROVIDED BY BURUI TER PRODUCTS

FIRST ISSUED		TITLE	
DRAWN BY			
CHECKED BY			
APPROVED BY		SIZE	DRG NO.
		A3	50-8 编码器图纸
		SCALE 1:1	SHEET REV A
			SHEET 1 OF 1

A3